

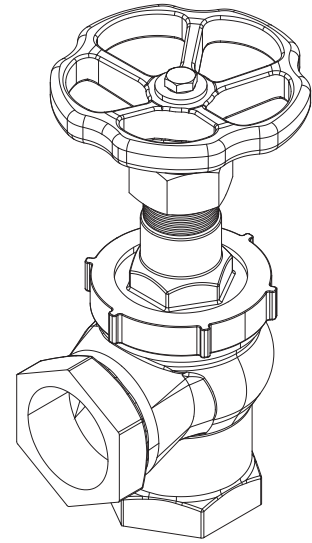
DESCRIPTION: Angled type, Rg5 body, metal seated screw down stop valve with rising stem, screwed and secured bonnet. BSPF female thread.

APPLICATION: Sea water, water and low pressure steam.
Stop and flow throttling of: Sea water, water, steam and oils etc.

STANDARD & DESIGN:

Design Code: -
 Inspection Std.: -
 End Std.: BSP-female acc. to DIN EN 10226-1 (DIN 2999)
 Face to Face Std.: -
 Pressure rating: PN16 (DN10-DN80)
 Temperature range: -10°C to +200°C

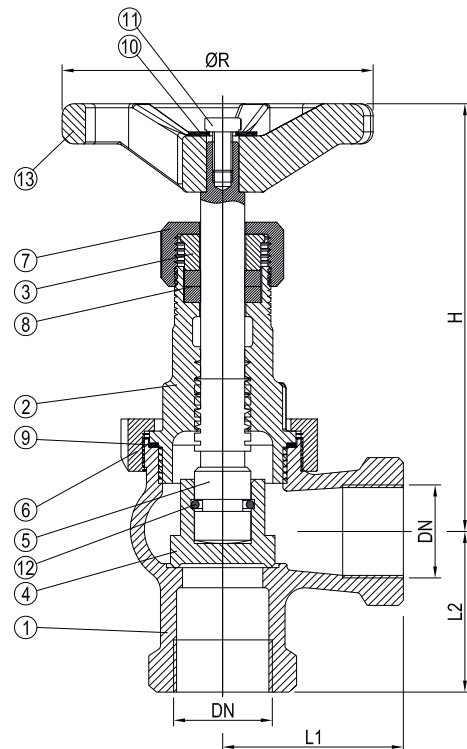
VARIATIONS: Can be supplied with regulating disc.
Other dimensions and materials on request.



Pressure & Temperature ranges:

Bore	Working Pressure(Bar)	
	120°C	200°C
DN10-DN80 (3/8"-3")	16 Bar	12 Bar

No	Part	Material	Code
1	Body	Bronze	CuSn5Zn5Pb5-C
2	Bonnet	Bronze	CuSn5Zn5Pb5-C
3	Gland	Brass	CuZn39Pb3
4	Disc	Bronze	CuSn5Zn5Pb5-C
5	Stem	Brass	CuZn35Ni
6	Bonnet Nut	Bronze	CuSn5Zn5Pb5-C
7	Gland Nut	Brass	CuZn39Pb3
8	Gland Packing	Graphite	-
9	Bonnet Gasket	Teflon	PTFE
10	Washer	Steel	Gr. 8
11	Bolt	Steel	Gr. 8.8
12	Circlip	Stainless Steel	AISI316
13	Hand Wheel	Cast Iron	EN-GJL250



DN	Inch	L1	L2	H	øR	Kg
10	3/8	35	30	93	63	0.6
15	1/2	40	35	94	63	0.6
20	3/4	45	40	106	80	0.9
25	1	50	45	115	80	1.2
32	1 1/4	55	50	125	90	1.9
40	1 1/2	65	55	135	100	2.5
50	2	75	65	150	125	4.0
65	2 1/2	90	75	230	160	5.5
80	3	110	90	250	200	7.5