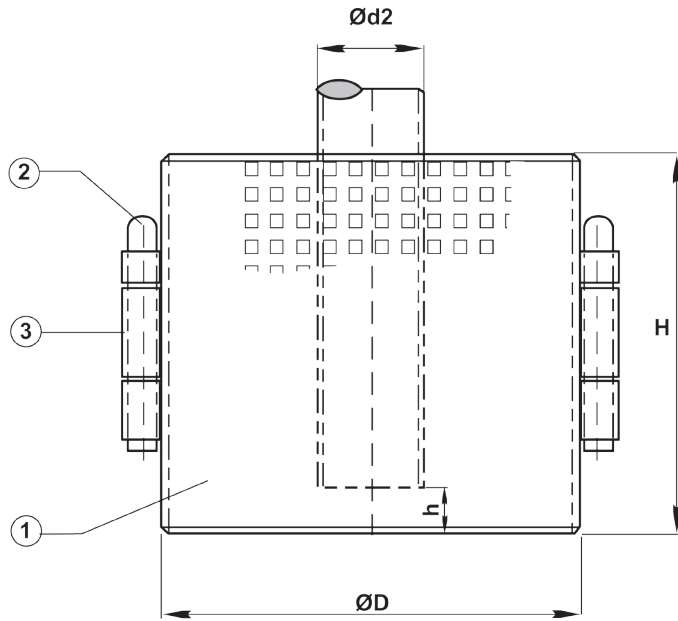


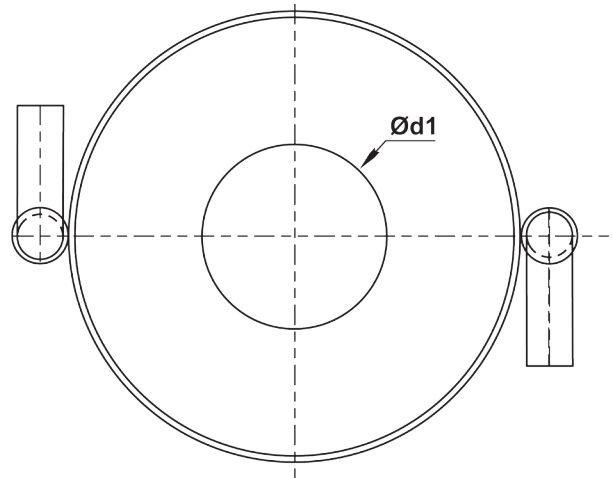


SUCTION STRAINER

485061



No	Part	Material
1	Body	Galvanized Steel
2	Spindle	Galvanized Steel
3	Hinge	Galvanized Steel



Variants:
Stainless Steel

Other dimensions/materials on request

DN	D	d1	d2	H	h				Weight Kg 1.061
25	125	30	28	98	10				1
40	125	48	44,5	98	12				1,5
50	150	60	57	123	15				2
65	200	80	76	160,5	22				3
80	225	94	89	200	24				5
100	275	114	108	237,5	30				7
125	340	138	133	300	38				10
150	400	165	159	362,5	45				13
200	510	222	216	470	60				16
250	600	280	273	600	80				25
300	750	325	318	700	95				35
350	860	375	368	800	110				47