

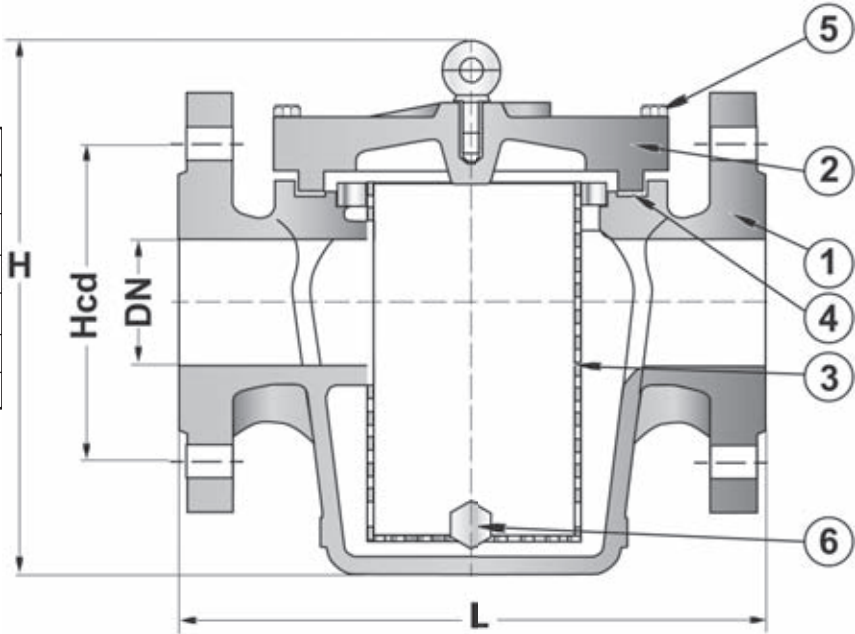


MUD BOX

482051

PN 2,5/4

No	Part	Material
1	Body	Cast iron GG25
2	Cover	Cast iron GG25
3	Basket	AISI 316 (1.4401)
4	Cover sealing	NBR
5	Stud bolts, nuts	Steel
6	Drain Plug	Brass



Variants:

- Other mesh-sizes
- With test valve
- Other dimensions/materials on request

Flanges drilled according to PN10

Standard Mesh-size:

- DN 40- 65 5x5 mm
- DN 80-500 8x8 mm

*DN 300 L 700

*DN 350 L 690/800

DN	inch	D	n x Ød	Hcd	L	H	Max working-pressure Mpa		Weight Kg
							Mpa	80 °C	
25	1"	150	4x14	85	160	180	0,4		6,0
32	1¼"	140	4x18	100	200	210	0,4		10,0
40	1½"	150	4x18	110	200	210	0,4		12,0
50	2"	165	4x18	125	230	225	0,4		12,0
65	2½"	185	4x18	145	290	265	0,4		23,0
80	3"	200	8x18	160	310	300	0,4		28,0
100	4"	220	8x18	180	350	340	0,4		39,0
125	5"	250	8x18	210	400	415	0,4		63,0
150	6"	285	8x22	240	480	465	0,4		84,0
200	8"	340	8x22	295	600	575	0,4		155,0
250	10"	395	12x22	350	600	620	0,4		175,0
300	12"	445	12x22	400	*600	660	0,4		235,0
350	14"	505	16x22	460	*610	740	0,4		300,0
400	16"	565	16x26	515	740	900	0,4		430,0
450	18"	615	20x26	565	1000	1000	0,4		480,0
500	20"	670	20x26	620	1100	1100	0,25		555,0
600	24"	780	20x30	780	1100	1100	0,25		820,0
700	28"	670	20x30	895	1250	1150	0,25		1000,0
750	32"	780	20x30	965	1350	1200	0,25		1200,0