



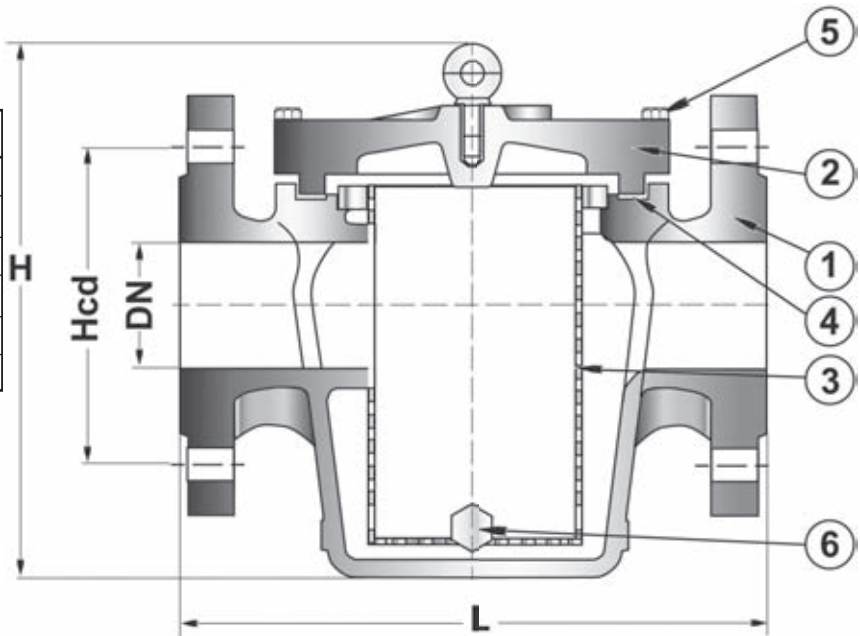
# MUD BOX

482021

---

PN 4

No	Part	Material
1	Body	Bronze Rg5
2	Cover	Bronze Rg5
3	Basket	Stainless steel SS316
4	Cover sealing	Perbunan-rubber
5	Stud bolts, nuts	Steel
6	Drain Plug	Brass



**Variants:**

- Other mesh-sizes
- With test valve
- Other dimensions/materials on request

Flanges drilled according to PN10

**Standard Mesh-size:**

- DN 40- 65 5x5 mm
- DN 80-500 8x8 mm

DN	inch	D	n x Ød	Hcd	L	H	Max working-pressure Mpa		Weight Kg
							Mpa	80 °C	
40	1½"	150	4x18	110	200	205	0,4		11,0
50	2"	165	4x18	125	230	225	0,4		15,0
65	2½"	185	4x18	145	290	260	0,4		21,0
80	3"	200	8x18	160	310	310	0,4		27,0
100	4"	220	8x18	180	350	345	0,4		37,0
125	5"	250	8x18	210	400	395	0,4		50,0
150	6"	285	8x22	240	480	465	0,4		71,0
200	8"	340	8x22	295	600	565	0,4		122,0
250	10"	395	12x22	350	600	610	0,4		148,0
300	12"	445	12x22	400	600/700	675	0,4		190,0
350	14"	505	16x22	460	610	790	0,4		230,0
350	14"	505	16x22	460	690/800	790	0,4		260,0
400	16"	565	16x26	515	740	990	0,4		345,0
450	18"	670	16x26	565	1000	1215	0,4		662,0