

In this valve type, the closing part is swing-type flap. The valve is intended for piping system where the fluid may contain non-fluid material, as in sewage piping.

The valve is available in both pneumatic and hand-operated modes.

PNEUMATICALLY-OPERATED VALVES (TYPE PVL)

Figure 7 shows the construction of the valve and actuator. In this valve, the flap is fixed to the spindle. It can be fixed in any position.

The valve is a two position valve (open/closed).

Flow direction should preferably be as pictured in the figure.

Figure 8 depicts the construction of the valve with a check valve function. (Construction of all other elements as in Figure 7).

The valve with check valve function must be fitted with the actuator upright. Free flow is possible only from the lower

side of the disk. If back flow tends to take place after the valve is opened, the disk, which moves longitudinally on the spindle, will close in flow path.

The air consumption of the actuators at 6 bar air pressure is expressed in litres free air/stroke, or 8.5 l for a size 3 actuator and 17.5 l for a size 5 actuator.

The dimensions of the valve/actuator assemblies and the pressures available are given in Table 5.

HAND-OPERATED VALVES (TYPE HVL)

The construction of the flap and all related parts is the same as in the pneumatically-operated valve, see Figures 7 and 8.

Valves with and without check valve function are available.

A valve with check valve function must be fitted with the spindle upright.

Valve dimensions are given in Table 6.

Table 5 / Type PVL

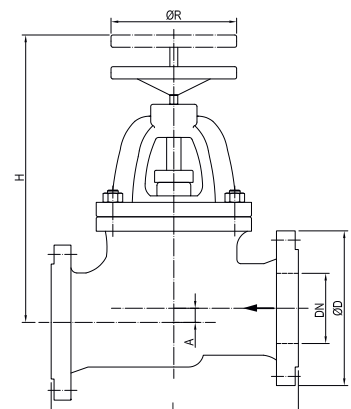
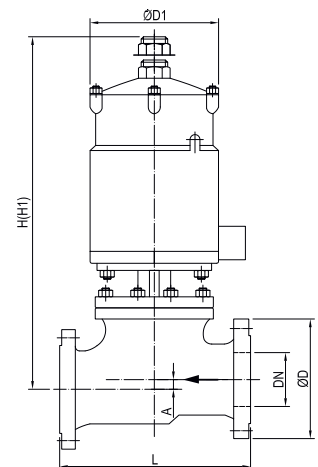
DN	Actuator size	øD	øD1	L ¹⁾	A	H ²⁾	H1 ³⁾
65	3	185	188	270	0	650	660
80	3	200	188	275	12	650	665
100	3	220	188	310	12	660	675
125	3	250	188	360	20	670	685
125	5	250	244	360	20	735	750
150	5	285	244	435	21	820	825

1)The dimension is non-standard
2) Fixed flap type 3) Check valve function

Table 6 / Type HVL

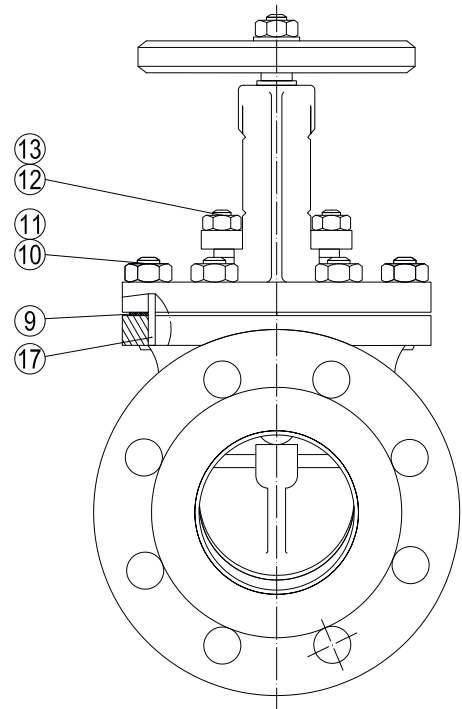
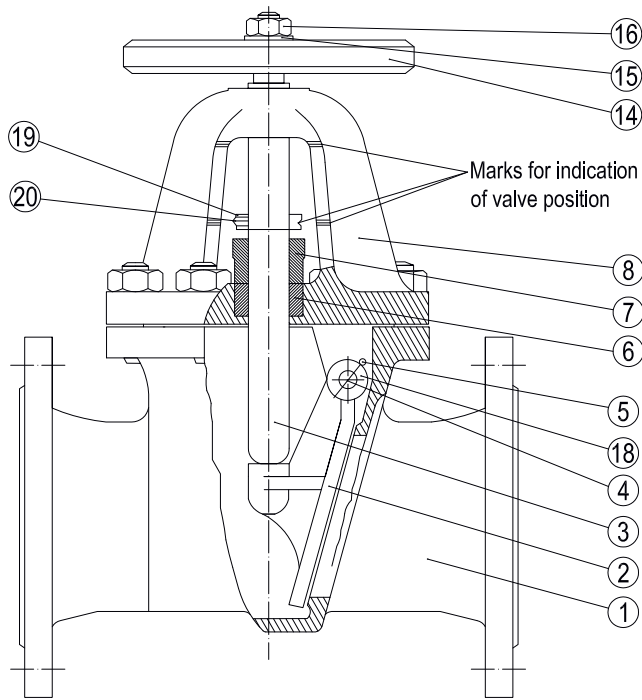
DN	øD	L ¹⁾	A	H	øR
65	185	270	0	406	140
80	200	275	12	433	180
100	220	310	12	386	180
125	250	360	20	462	200
150	285	435	21	753	200

1)The dimension is non-standard



VARIANTS:

The Flap valve can also be operated with a Pneumatic actuator, Type PVL.
Without closing device, Type VL.



Ref.No	Part	Qty/Valve	Material
1	Valve body	1	Bronze Rg10
2	Disc	1	Bronze Rg10
3	Spindle	1	Bronze Rg10
4	Axle	1	Stainless steel
5	Split pin	2	Stainless steel
6	Packing	4	Grafoil ring
7	Box gland	1	Bronze Rg10
8	Body cover	1	Bronze Rg10
9	Gasket	1	Klinger seal
10	Nut	8	Steel
11	Stud bolt	8	Steel
12	Nut	2	Steel
13	Stud Bolt	2	Stainless steel
14	Handwheel	1	Cast iron
15	Washer	1	Steel
16	Nut	1	Steel
17	Pin	2	Steel
18	Washer	2	Stainless steel
19	Stop ring	1	Steel
20	Locking screw	1	Steel

Drawing No. - 1.810.0606
Type HVL-T