

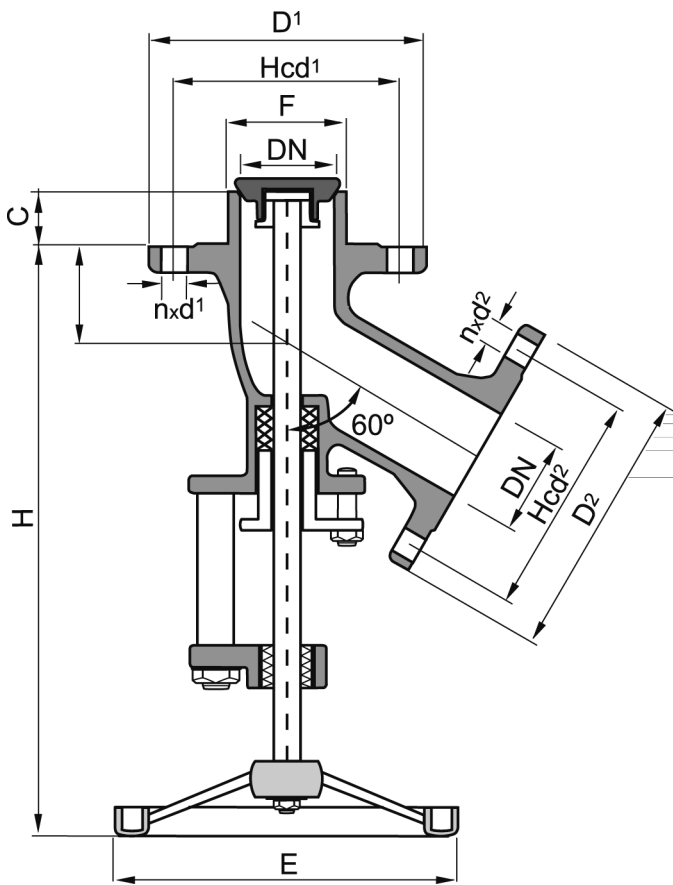


BOTTOM DRAIN VALVE

106192

PN 16

No	Part	Material
1	Body	Stainless steel CF8M
2	Disc	Stainless steel CF8M
3	Stem	Stainless steel 316
4	Glandpacking	Graphit-PTFE
5	Gland	Stainless steel CF8M
6	Nut	SM steel St 52
7	Yoke	Stainless steel CF8M
8	Handwheel	Stainless steel 6625



Variants:

Other dimensions/materials on request

DN	D1	Hcd1	n1xd1	D2	Hcd2	n2xd2	H	C	F	Weight Kg
25	150	110	4x15	115	85	4x14	200	40	49	6
32	165	125	4x17	140	100	4x15	200	45	52	7
40	165	125	4x17	150	110	4x15	220	45	55	8
50	185	145	4x17	165	125	4x17	260	50	70	11
65	200	160	4x18	185	145	4x17	320	50	89	15
80	220	180	4x18	200	160	4x18	375	55	100	21
100	250	210	4x20	220	180	4x18	400	55	124	26
125	285	240	4x20	250	210	4x20	450	60	149	38
150	315	270	4x22	285	240	4x20	500	60	174	59