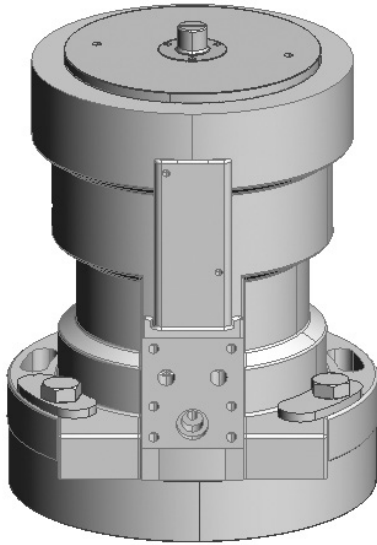


Damcos™ BRC 4000

Hydraulic double-acting balanced rotary actuator
90° (Quarter-turn)

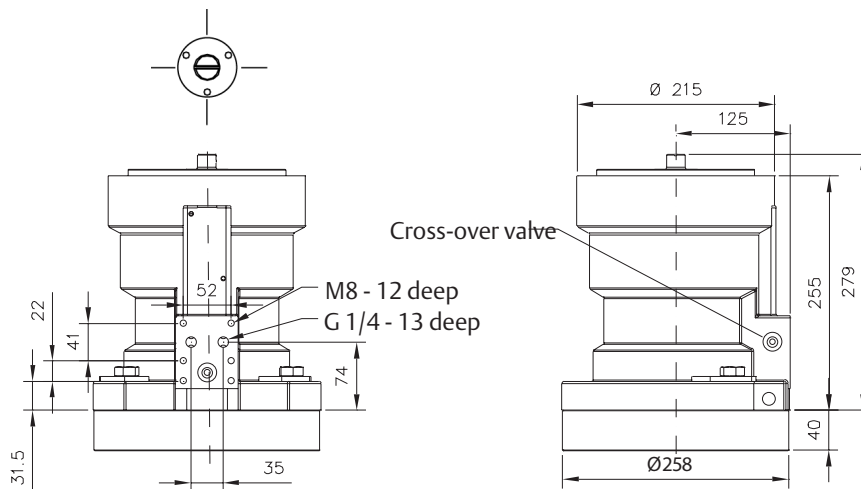


Main Data

| | |
|---|--|
| Recommended working pressure range | 30 to 135 bar |
| Burst test | 675 bar |
| Total dry weight incl. mounting set (25.8 kg) | 68.9 kg |
| Oil displacement | 0.800 l |
| Temperature range | Normal application: -25°C to +80°C (NBR Seal set) High temperature application: -20°C to +120°C (Viton® Seal set) Low temperature application: -45°C to +40°C (T.L.T. NITRIL Seal set) |
| Rotation | 90° ± 1° |
| Hydraulic media and viscosities | We recommend acid-free hydraulic oil. Viscosity range: 15-200 cSt. For recommended brands and for other media than oil please refer to separate data sheet. |

Main Dimensions

Actuator shown in closed position.
A port: Close (clockwise seen from above),
B port: Open.



All dimensions in mm

Valve adaption:

Adjustment screw, torque: 50 Nm

7.5° 7.5°

Fastning nut, torque: 150 Nm

Valve shaft intrusion: 80

Approx. 5° Adapter

Intermediate flange

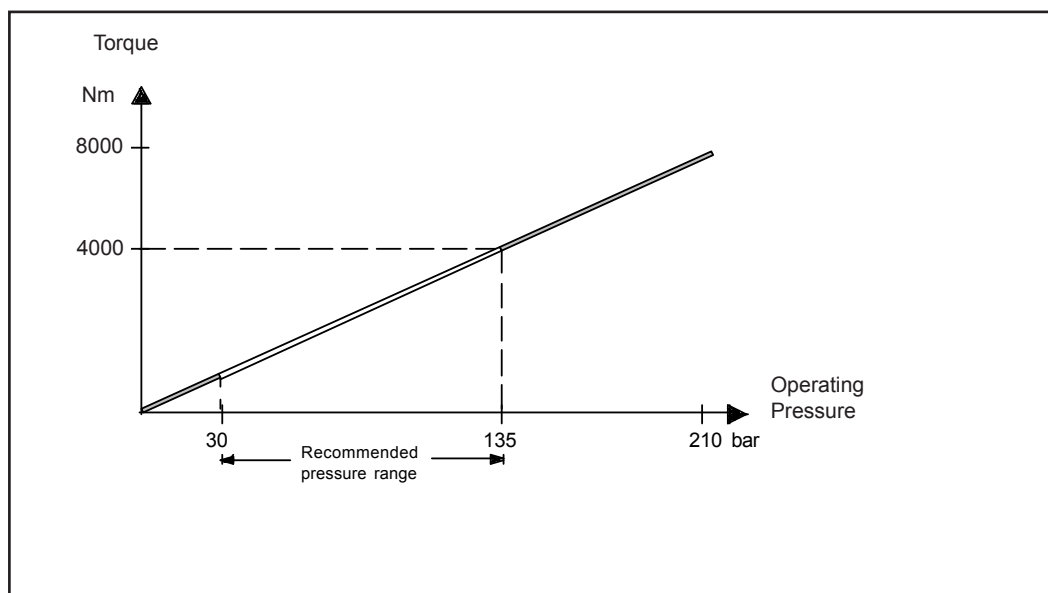
Limits for the machining of the adapter. Other shapes and valve shaft intrusions on request, please contact Damcos A/S.

Shape

| | | |
|-------------------|----------|--------|
| Machined acc. to: | DIN 6885 | DIN 79 |
| mm (max.): | Ø 74 | □ 63 |

All dimensions in mm

Performance



©2014 Emerson Process Management. All rights reserved.

The Emerson logo is a trademark and service mark of Emerson Electric Co. Damcos and the Damcos logotype are trademarks of Damcos A/S. Viton is a registered trademark of DuPont Performance Elastomers. All other marks are the property of their respective owners.

Emerson Process Management

Damcos A/S
Aaderupvej 41
DK-4700 Naestved
T +45 5578 7200
F +45 5578 7272

www.EmersonProcess.com/mtm

The contents of this publication are presented for information purposes only, and while effort has been made to ensure their accuracy, they are not to be construed as warranties or guarantees, expressed or implied, regarding the products or services described herein or their use or applicability. Standard Terms and Conditions of Sale can be issued by contacting Damcos A/S. We reserve the right to modify or improve the designs and specifications of our products at any time without notice. Damcos A/S accepts no responsibility for any errors that may appear in this publication.